

TEIKO











**MONTÁŽNÍ A UŽIVATELSKÝ NÁVOD
ASSEMBLY AND USER'S MANUAL INSTRUCTIONS
MONTAGE- BEDIENUNGS- UND PFLEGEANLEITUNG**

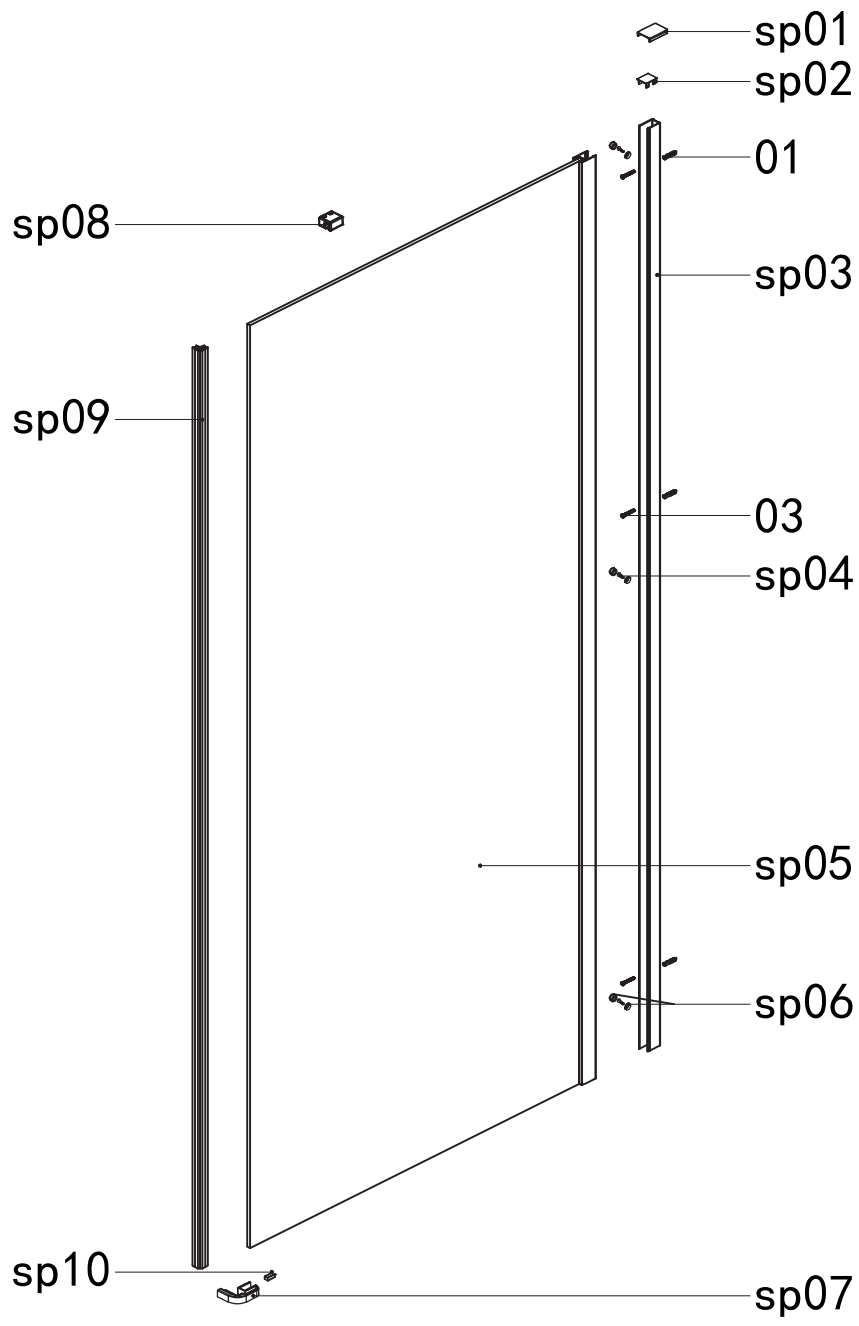
**BOČNÍ STĚNA
SIDE WALL
SEITENWAND**

ALBS

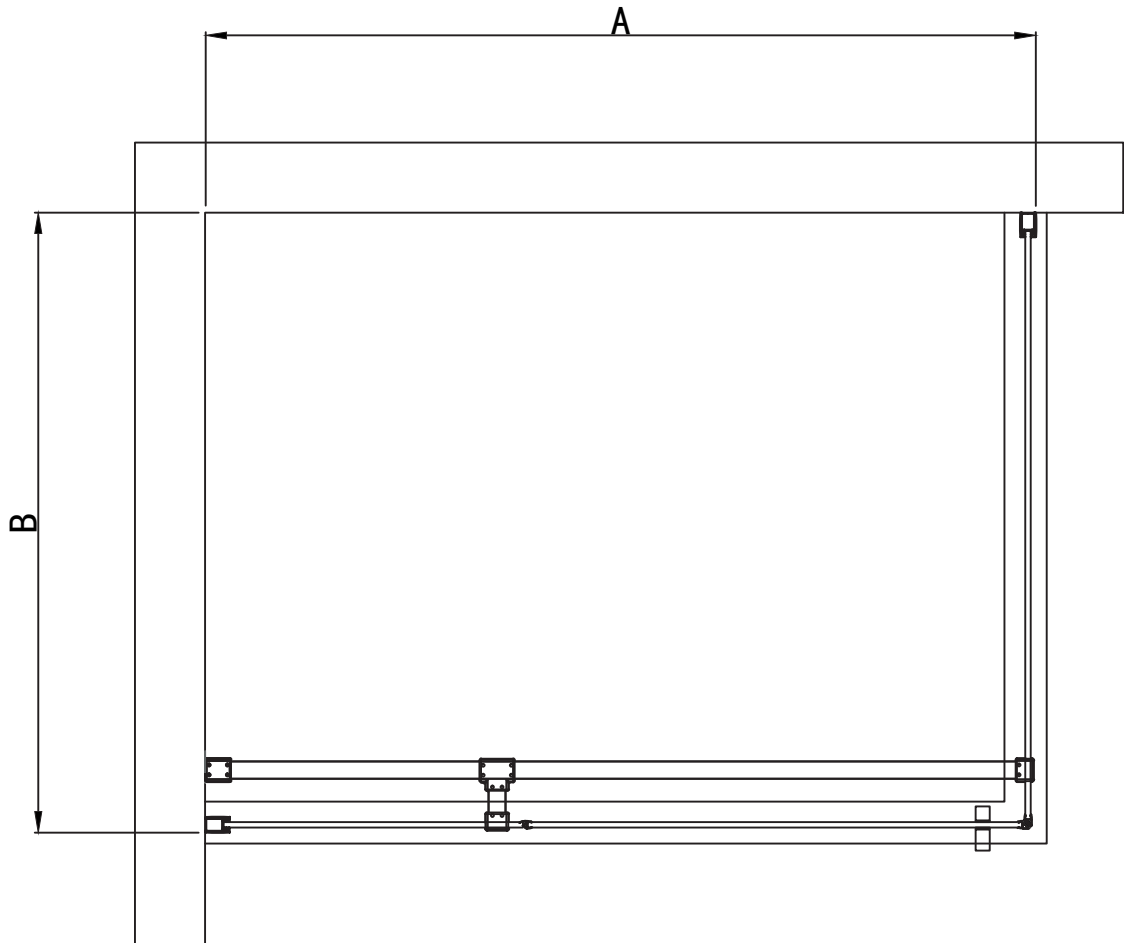
VER. 06/2020



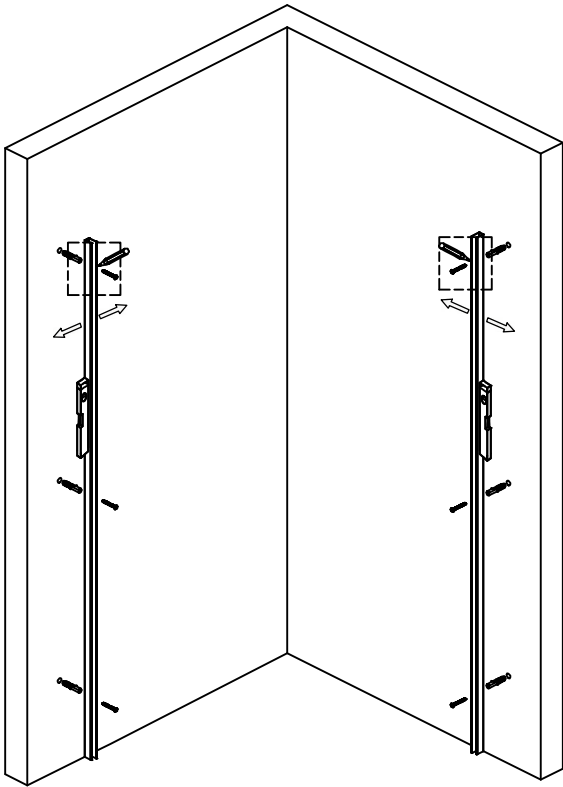
| Serial number | Graphical | Name | Quantity | ID |
|---------------|---|-----------|----------|------------------|
| sp01 |  | | 1PCS | MA7995 |
| sp02 |  | | 1PCS | MA7993 |
| sp03 |  | | 1PCS | MA7974 |
| sp04 |  | ST3.5X9.5 | 3PCS | M0806 |
| sp05 |  | | 1PCS | V235 |
| sp06 |  | | 3PCS | MA8001 MA8002 |
| sp07 |  | L/R | 2PCS | ND01-3674 |
| sp08 |  | | 1PCS | MA7988 |
| sp09 |  | | 1PCS | MA3245 MA3246 |
| sp10 |  | | 1PCS | MA8000 |



| | A | | B |
|------|-----------|-----|---------|
| 800 | 775-795 | 800 | 775-795 |
| 900 | 875-895 | 900 | 875-895 |
| 1000 | 975-995 | | |
| 1100 | 1075-1095 | | |
| 1200 | 1175-1195 | | |



L



R

